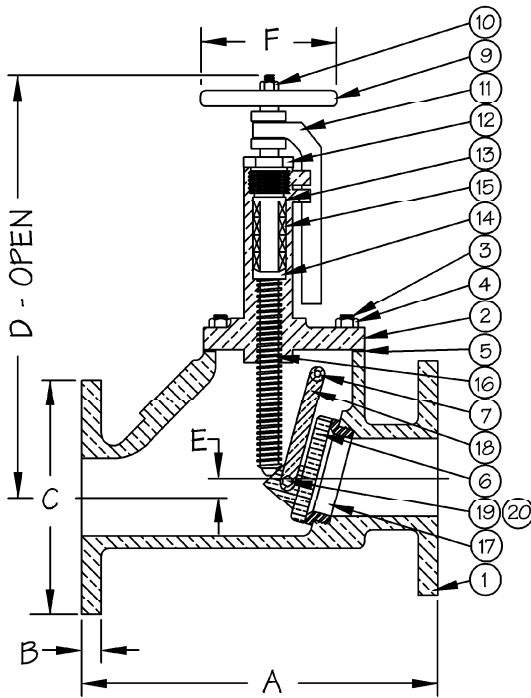


# BRONZE SCUPPER

150 PSI, 2" - 6",  
 FLANGED END, MONEL TRIM,  
 DRILLED OR UNDRILLED,  
 WITH REPLACEABLE SEAT RING  
**FIGURE NO. B1626E**



BILL OF MATERIALS			
PART	MATERIAL	SPEC.	
1	BODY	BRONZE	ASTM B61 or B62
2	BONNET	BRONZE	ASTM B61 or B62
3	BONNET STUD	SILICON BRONZE	ASTM B98
4	BONNET NUT	SILICON BRONZE	ASTM B98
5	BONNET GASKET	SYNTHETIC RUBBER	MIL-PRF-1149, CL. 2
6	DISC	NI-CU ALLOY	ASTM A494, GR. M30C
7	HINGE PIN	NI-CU ALLOY	QQ-N-281, CL. A
8	HINGE PIN PLUG (N.S.)	F.C. BRASS	ASTM B16
9	HANDWHEEL	BRONZE	ASTM B61
10	WHEELNUT	SILICON BRONZE	ASTM B98
11	INDICATOR ASSEMBLY	BRONZE	ASTM B61 or B62
12	PACKING GLAND NUT	F.C. BRASS	ASTM B21
13	PACKING GLAND FOLLOWER	BRONZE	ASTM B61 or B62
14	PACKING GLAND	BRONZE	ASTM B61 or B62
15	STEM PACKING	SYNTHETIC TEFLON	COMMERCIAL
16	STEM	NI-CU ALLOY	QQ-N-281
17	SEAT RING	NI-CU ALLOY	ASTM A494, GR. M30H
18	HINGE	BRONZE	ASTM B61 or B62
19	DISC BOLT	SILICON BRONZE	ASTM B98
20	DISC NUT	SILICON BRONZE	ASTM B98

AVAILABLE WITH OR WITHOUT GAG (45° or 90°).

## DIMENSIONS

SIZE	2	2-1/2	3	4	5	6
A	8	9 $\frac{1}{2}$	9 $\frac{1}{2}$	10 $\frac{1}{2}$	14	15
B	$\frac{1}{2}$	$\frac{9}{16}$	$\frac{5}{8}$	$\frac{11}{16}$	$\frac{3}{4}$	$\frac{13}{16}$
C	6	7	7 $\frac{1}{2}$	9	10	11
D	11 $\frac{5}{8}$	14	13 $\frac{1}{4}$	14 $\frac{1}{2}$	18 $\frac{1}{2}$	22 $\frac{1}{4}$
E	$\frac{1}{2}$	$\frac{9}{16}$	$\frac{1}{2}$	$\frac{1}{2}$	$\frac{5}{8}$	0
F	3	4	5	5	6	8
WT	26	38	45	62	78	104

